



**Syracuse Office:**  
 1836 W Fayette Street  
 Syracuse NY 13204  
 315-484-9048

**Rochester Office:**  
 660 W Metro Park  
 Rochester NY 14623  
 585-398-8018

**Buffalo Office:**  
 207 W Huron Street  
 Buffalo NY 14201  
 716-381-8813



## Coil Module

- 1 Feed Box Assembly
- 2 Spray Branches
- 3 Spray Branch Header Grommets
- 4 Spray Branch Nozzle & Grommet
- 5 Coil Assembly  
\*\*The coil can only be replaced as a full coil module assembly
- 6 Drift Eliminators

## Lower Heat Transfer Section

- 7 Combined Inlet Shields
- 8 BACross II® Fill with Integral Drift Eliminators

## Fan Section

- 9 Fan Guard
- 10 Fan Cowl
- 11 Axial Fan Assembly *(see detailed view)*

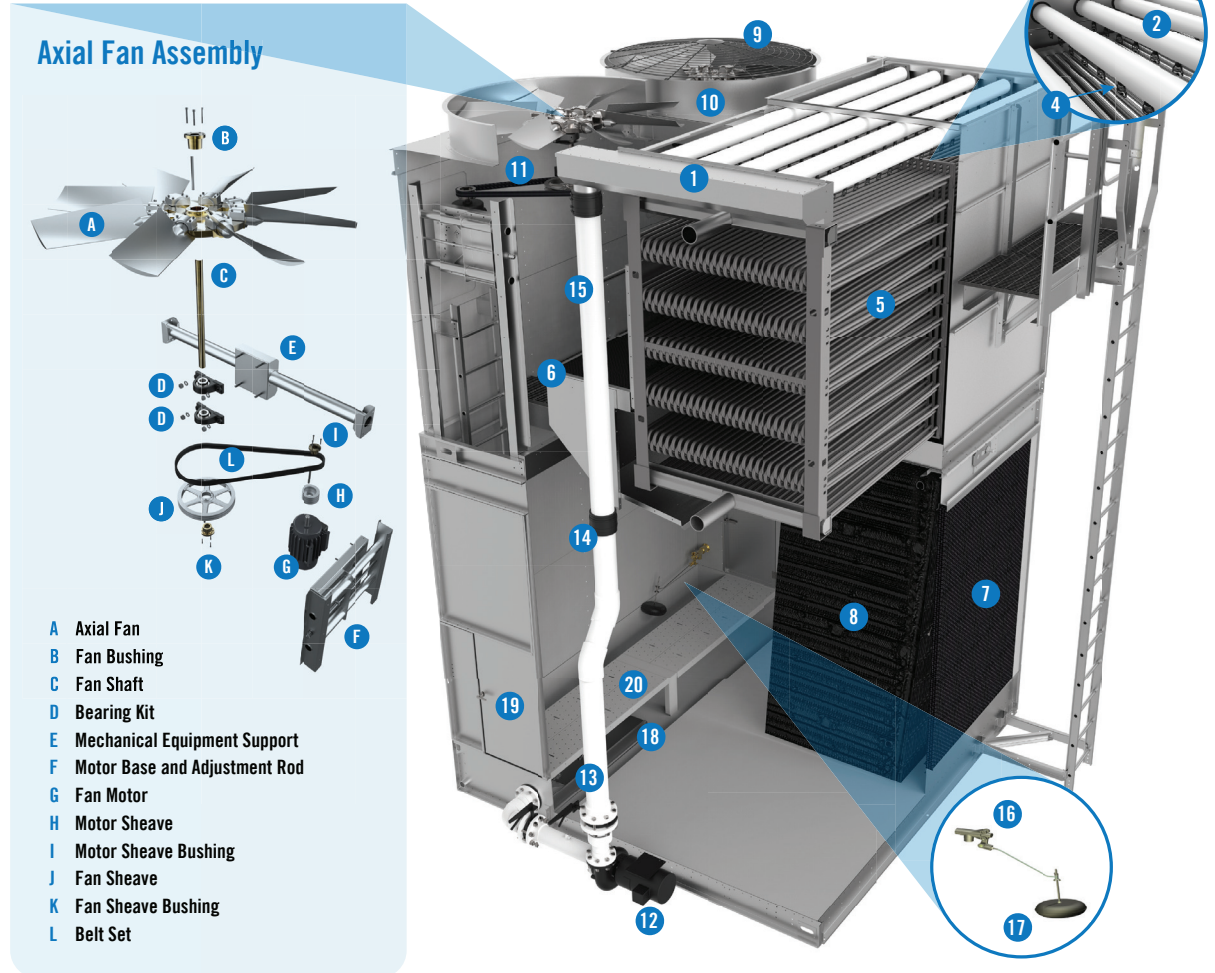
## Pump and Pump Piping

- 12 Pump Assembly
- 13 Lower Pump Piping Assembly
- 14 Coupling and Clamp
- 15 Upper Pump Piping Assembly

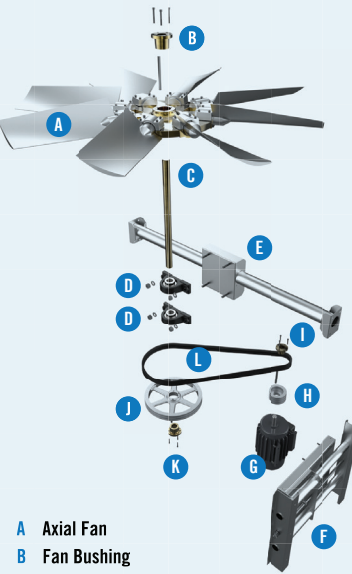
## Pan Section

- 16 Make-Up Valve Assembly
- 17 Float Ball
- 18 Sump Strainer
- 19 Access Door
- 20 Internal Walkway

# FXV Closed Circuit Cooling Tower



### Axial Fan Assembly



- A Axial Fan
- B Fan Bushing
- C Fan Shaft
- D Bearing Kit
- E Mechanical Equipment Support
- F Motor Base and Adjustment Rod
- G Fan Motor
- H Motor Sheave
- I Motor Sheave Bushing
- J Fan Sheave
- K Fan Sheave Bushing
- L Belt Set



**MODULAR  
COMFORT SYSTEMS**  
COMMERCIAL SOLUTIONS GROUP

www.mcsmms.com  
1-800-672-3168

**COOLING TOWERS - FALL SHUT DOWN TIME**

**Fall / Winter Shut Down Is Upon Us**  
Let us help you prep your tower now!



**BALTIMORE  
AIRCOIL COMPANY**

"MCS - Your Authorized BAC Representative"

**We can provide direct replacement parts for all brands:**

- Fan Motors
- Bearings
- Spray Pump Assemblies
- Basin Heaters
- Fan Shafts
- Centrifugal Fans
- Fill and Drift Eliminators
- Axial Fans
- Replacement Coils
- Make Up Water Assemblies
- Vibration Switches



**We offer parts and FREE mechanical inspections for any brand of cooling tower!**  
-Call or email today with information requested below to schedule your free tower inspection-  
800-672-3168      coolingtowers@mcsmms.com



Project Name: \_\_\_\_\_

Company Name: \_\_\_\_\_

Manufacturer: \_\_\_\_\_

Contact Name: \_\_\_\_\_

Model Number: \_\_\_\_\_

Phone Number: \_\_\_\_\_

Unit Serial Number: \_\_\_\_\_

Email Address: \_\_\_\_\_



**MODULAR  
COMFORT SYSTEMS**  
COMMERCIAL SOLUTIONS GROUP

**Buffalo Office**  
207 W. Huron St.  
Buffalo, Ny 14201  
Ph: 716.381.8813

**Rochester Office**  
660 W. Metro Park  
Rochester, Ny 14623  
Ph: 585.398.8018

**Syracuse Office**  
1836 W. Fayette St.  
Syracuse, Ny 13204  
Ph: 315.484.9048



**MODULAR  
COMFORT SYSTEMS**

HVAC PARTS • EQUIPMENT • SOLUTIONS

www.mcsmms.com

1-800-672-3168

**COOLING TOWERS**

**SPRING IS COMING**

Get ahead of the game and prep your tower early



**BALTIMORE  
AIRCOIL COMPANY**

"MCS - Your Authorized BAC Representative"

We can provide direct replacement parts for all brands:

- Fan Motors
- Bearings
- Spray Pump Assemblies
- Basin Heaters
- Fan Shafts
- Centrifugal Fans
- Fill and Drift Eliminators
- Axial Fan
- Replacement Coils
- Make Up Water Assemblies
- Vibration Switches



We offer FREE mechanical inspections for any brand of cooling tower

Call today to schedule your free cooling tower inspection @800-672-3168



**MODULAR  
COMFORT SYSTEMS**  
HVAC PARTS • EQUIPMENT • SOLUTIONS

**Buffalo Office**  
207 W. Huron St.  
Buffalo, Ny 14201  
Ph: 716.381.8813

**Rochester Office**  
660 W. Metro Park  
Rochester, Ny 14623  
Ph: 585.398.8018

**Syracuse Office**  
1836 W. Fayette St.  
Syracuse, Ny 13204  
Ph: 315.484.9048







**Syracuse Office:**  
1836 W Fayette Street  
Syracuse NY 13204  
315-484-9048

**Rochester Office:**  
660 W Metro Park  
Rochester NY 14623  
585-398-8018

**Buffalo Office:**  
207 W Huron Street  
Buffalo NY 14201  
716-381-8813



## Water Distribution

- 1 Slide Out Drift Eliminators
- 2 Removable Spray Distribution Branch
- 3 Spray Nozzles
- 4 hCore™ Heat Transfer Technology
- 5 Water Diverter

## Air Handling

- 6 Hinged EC Fan System Access Panel
- 7 EC Fan System
- 8 Fan Guard

## Water Collection

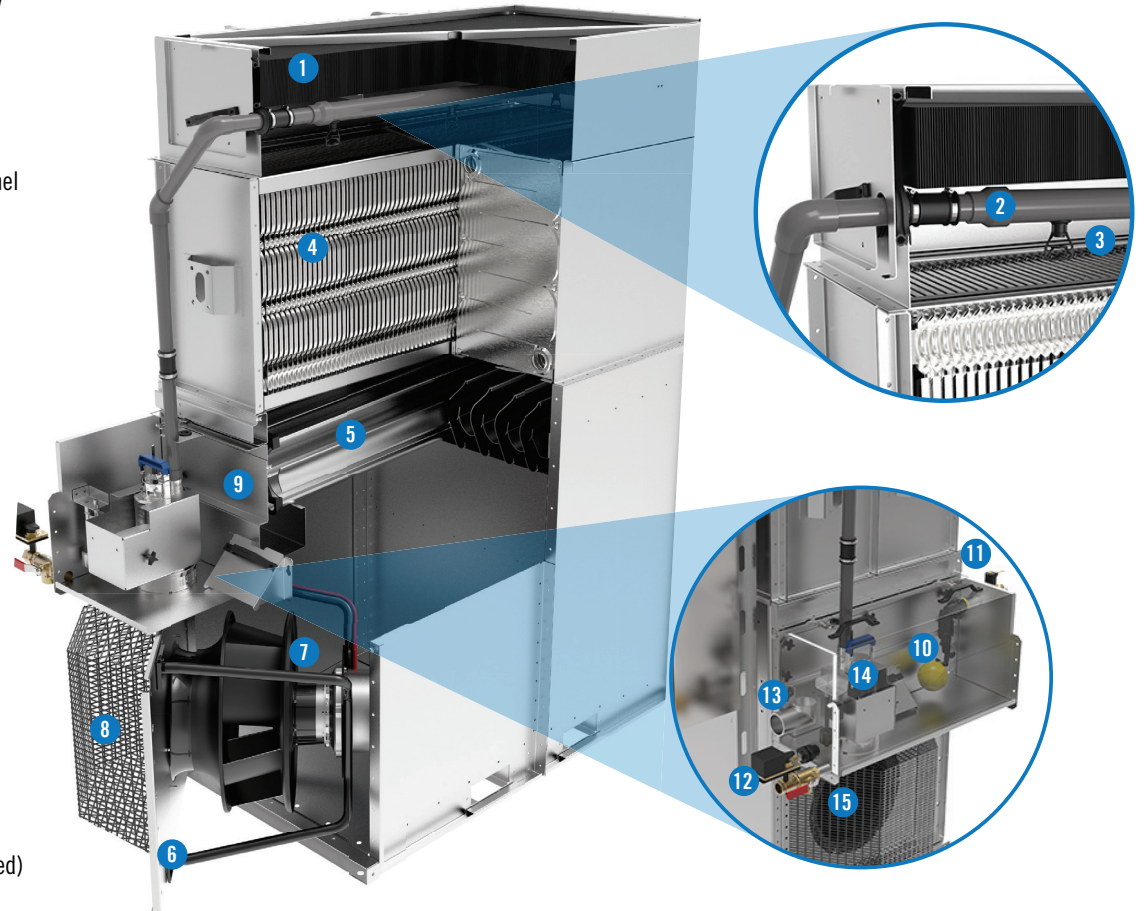
- 9 Spray Water Basin
- 10 Mechanical Make-up Assembly
- 11 Solenoid Make-up Valve
- 12 Drain Valve
- 13 Overflow
- 14 Spray Pump
- 15 High/Low Level Float Switch

## Controls

- 16 iPilot™ Control System (not pictured)

# NEXUS™

## MODULAR HYBRID COOLER





**Syracuse Office:**  
 1836 W Fayette Street  
 Syracuse NY 13204  
 315-484-9048

**Rochester Office:**  
 660 W Metro Park  
 Rochester NY 14623  
 585-398-8018

**Buffalo Office:**  
 207 W Huron Street  
 Buffalo NY 14201  
 716-381-8813



### Air Handling Section

- 1 Fan Guard
- 2 Fan Cowl
- 3 Axial Fan Assembly (see detailed view)
- 4 Davit Fan Assembly (optional)
- 5 Mechanical Access Door

### Air Handling Section

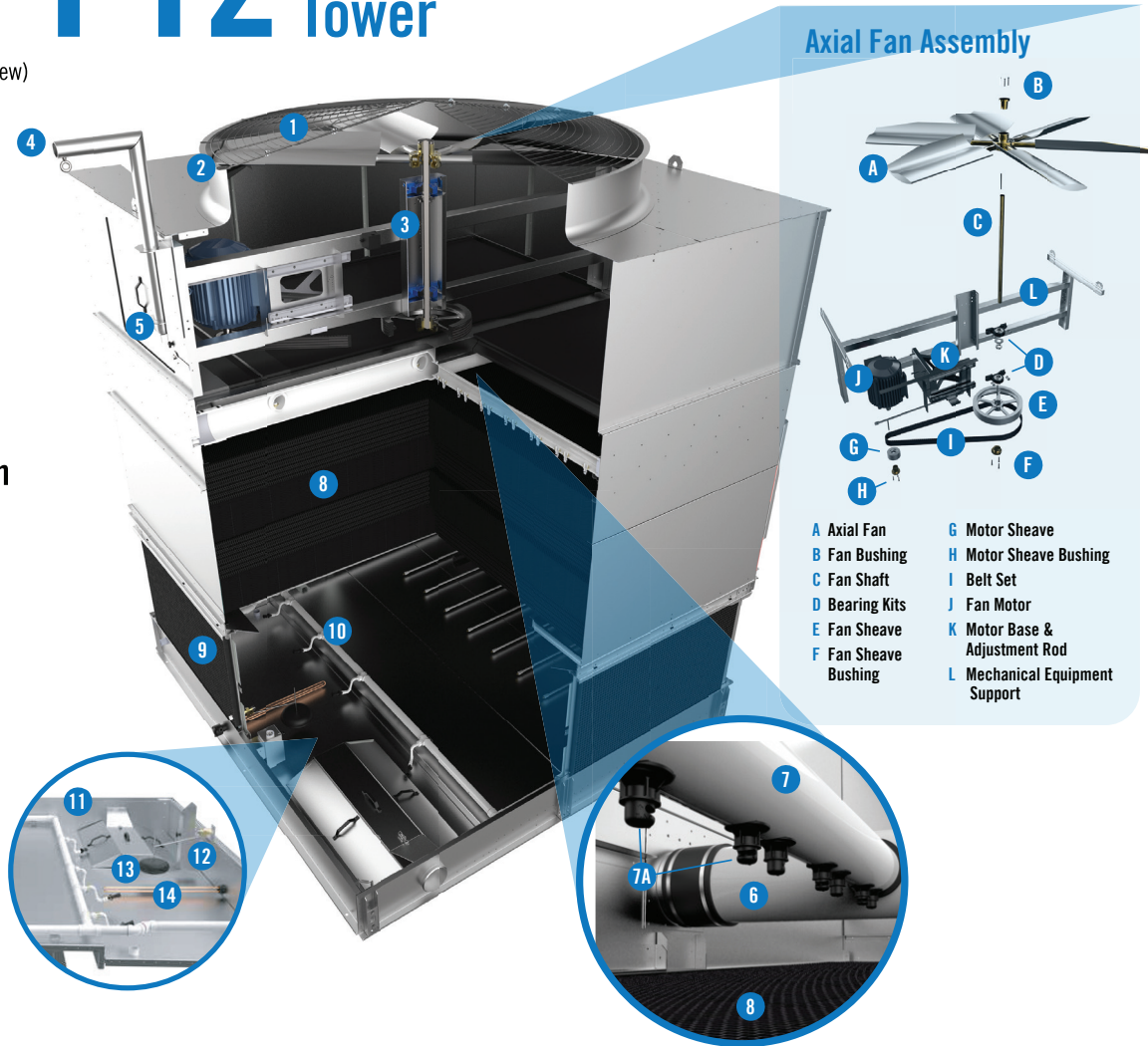
- 6 Spray Branch Heater
- 7 Spray Branch
- 7A CF Nozzles
- 8 BACPak™ Fill

### Water Collection Section

- 9 Inlet Louvers
- 10 Sump Sweeper Piping (optional)
- 11 Strainer Assembly
- 12 Make-up Valve Assembly
- 13 Float Ball
- 14 Basin Heater

# PT2 Cooling Tower

## Internal Motor Configuration





**Syracuse Office:**  
1836 W Fayette Street  
Syracuse NY 13204  
315-484-9048

**Rochester Office:**  
660 W Metro Park  
Rochester NY 14623  
585-398-8018

**Buffalo Office:**  
207 W Huron Street  
Buffalo NY 14201  
716-381-8813



## Upper Casing Section

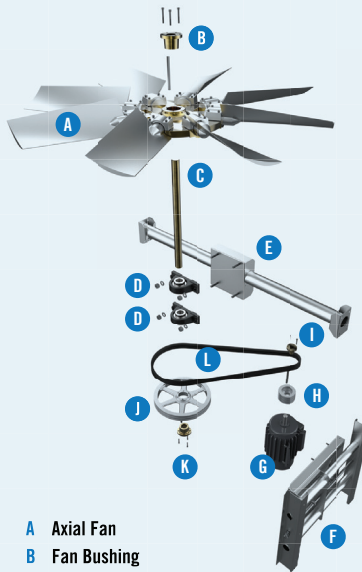
- 1 Hot Water Basin
- 2 XF Spray Nozzles
- 3 BACross III® Upper Fill with Integral Drift Eliminators
- 4 Axial Fan Assembly
- 5 Fan Cylinder
- 6 Fan Guard
- 7 Combined Inlet Shields
- 8 Upper Drift Eliminators

## Lower Pan Section

- 9 Make-up Valve Assembly
- 10 Float Ball
- 11 Access Door
- 12 BACross III® Lower Fill with Integral Drift Eliminators
- 13 Lower Drift Eliminators
- 14 Pan Strainer
- 15 Pan Strainer Hood
- 16 Internal Walkway

# Series 1500 Cooling Tower

## Axial Fan Assembly



- A Axial Fan
- B Fan Bushing
- C Fan Shaft
- D Bearing Kit
- E Mechanical Equipment Support
- F Motor Base and Adjustment Rod
- G Fan Motor
- H Motor Sheave
- I Motor Sheave Bushing
- J Fan Sheave
- K Fan Sheave Bushing
- L Belt Set

